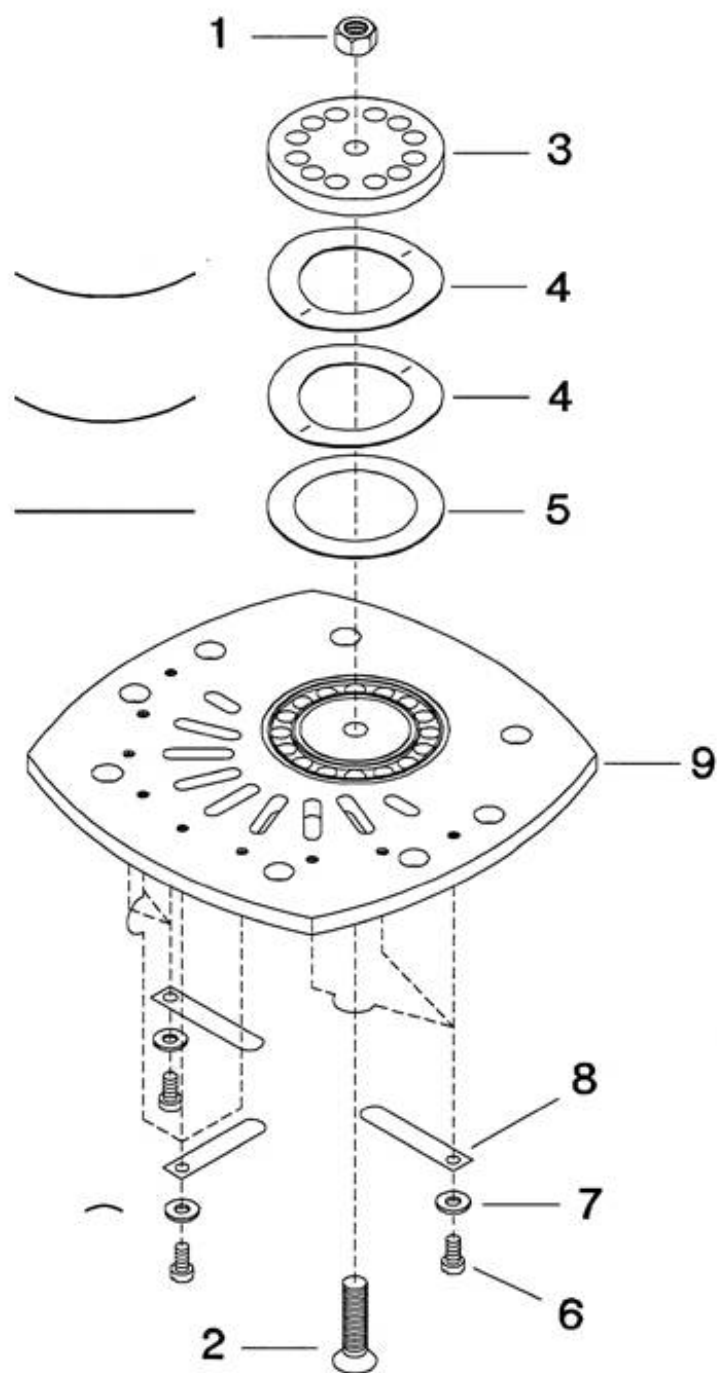


4. First stage Valve Plate Assembly - Model 3000



All manufacturer's names, numbers, photos, product description and/or part numbers are used for reference purposes only & it is not implied that any part listed is the product of these manufacturers. Since Approvement are made from time to time, the illustration and specifications are subject to change without notice.

4. First stage Valve Plate Assembly - Model 3000

| REF. NO. | PART NO. | DESCRIPTION | QTY. | SPARES | | |
|----------|----------|---|------|--------|---|----|
| | | | | 1 | 2 | 3 |
| REF. | 32228330 | ASSEMBLY, FIRST STAGE VALVE PLATE | 2 | | 1 | 2 |
| 4-1 | 97166946 | ● NUT, WHIZ-LOCK - 7/16-14 HEX | 1 | 1 | 2 | 2 |
| 4-2 | 32223927 | ● BOLT, VALVE | 1 | 1 | 2 | 2 |
| 4-3 | 32228314 | ● PLATE, STOP - DISCHARGE | 1 | | | |
| 4-4 | 30221501 | ● SPRING, VALVE - DISCHARGE | 2 | 2 | 4 | 4 |
| 4-5 | 30181499 | ● PLATE, VALVE - DISCHARGE | 1 | 1 | 2 | 2 |
| 4-6 | 32035511 | ● SCREW, FILLISTER HEAD - 1/4-20 X 3/8" | 9 | 9 | 9 | 18 |
| 4-7 | 32217382 | ● WASHER, BELLEVILLE - 1/4" | 9 | 9 | 9 | 18 |
| 4-8 | 30220115 | ● VALVE, FINGER | 9 | 9 | 9 | 18 |
| 4-9 | 32228249 | ● PLATE, VALVE SEAT | 1 | | | |

All manufacturer's names, numbers, photos, product description and/or part numbers are used for reference purposes only & it is not implied that any part listed is the product of these manufacturers. Since Approvement are made from time to time, the illustration and specifications are subject to change without notice.